

Section Public Address

Category EN 54-24 Loudspeakers

Range TRX20-EN

References  
**Safety:** Compliant to EN 60065  
**Emergency:** EN 54-24, EN 60849  
**Application:** Outdoor environments (Type B)  
**Protection Degree:** IP66

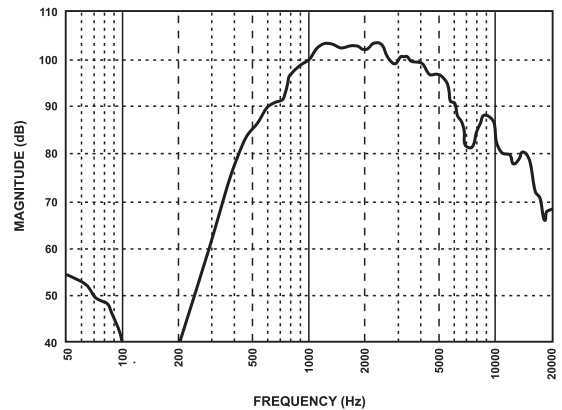
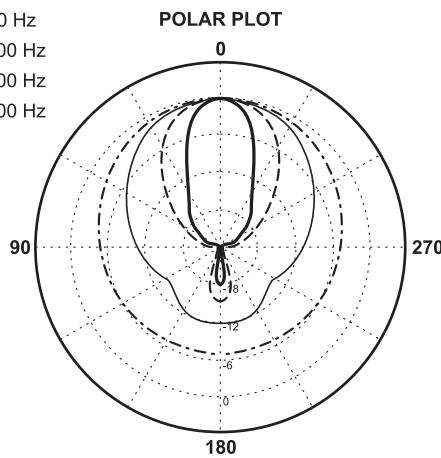


Description **Horn-type speaker unit for voice alarm systems**

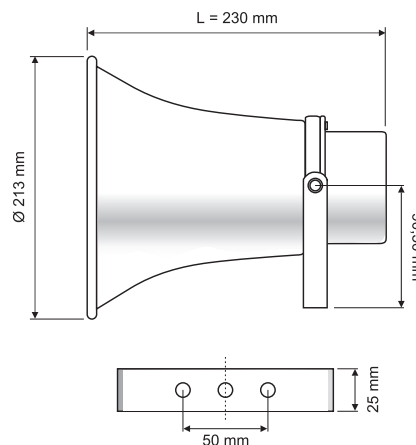
The TRX20-EN horn-type speaker unit features an aluminium housing and swivelling stainless steel brackets. The type of construction and the materials used are such that they can be used outdoors and in particularly damp environments (swimming-pools, etc.). These speaker units have been developed specifically for use in emergency and evacuation systems (VES) and each has its own ceramic terminal strip and thermal fuse. These ensure the protection of the line connecting the loudspeakers if a fire puts one or more of the speaker units connected to it out of use.

Technical data

- 500 Hz
- 1000 Hz
- - - 2000 Hz
- 4000 Hz



Simulated free-field measurements.



Technical data

TRX20-EN



0068

PASO S.p.A Via Settembrini, 34 - 20020 Lainate (MI)

13

0068-CPD-033/2013

**EN 54-24**

Loudspeaker for voice alarm systems  
for fire detection and fire alarm systems for buildings

**TRX20-EN**

Type B

Rated output	20 W (100 V)
Nominal impedance (100 V line)	500 Ω (20W) 670 Ω (15W) 1000 Ω (10W) 2000 Ω (5W) 4000 Ω (2,5W)
Sensitivity	103 dB (1W/1m)
Max. sound pressure SPL*	116 dB (20W/1m)
Frequency response	500 ÷ 5.000 Hz (peak -10 dB)
Horizontal angle of dispersion (-6 dB)	240° (500 Hz) 110° (1 kHz) 70° (2 kHz) 40° (4 kHz)
Vertical angle of dispersion (-6 dB)	240° (500 Hz) 110° (1 kHz) 70° (2 kHz) 40° (4 kHz)
Operating/storage temperature	-25°C ÷ +55°C / -40°C ÷ 70°C
Relative humidity	< 95%
Dimensions	Ø 213 x 230 mm
Weight	1,8 kg

\* Measurement made at the geometric center of the loudspeaker.